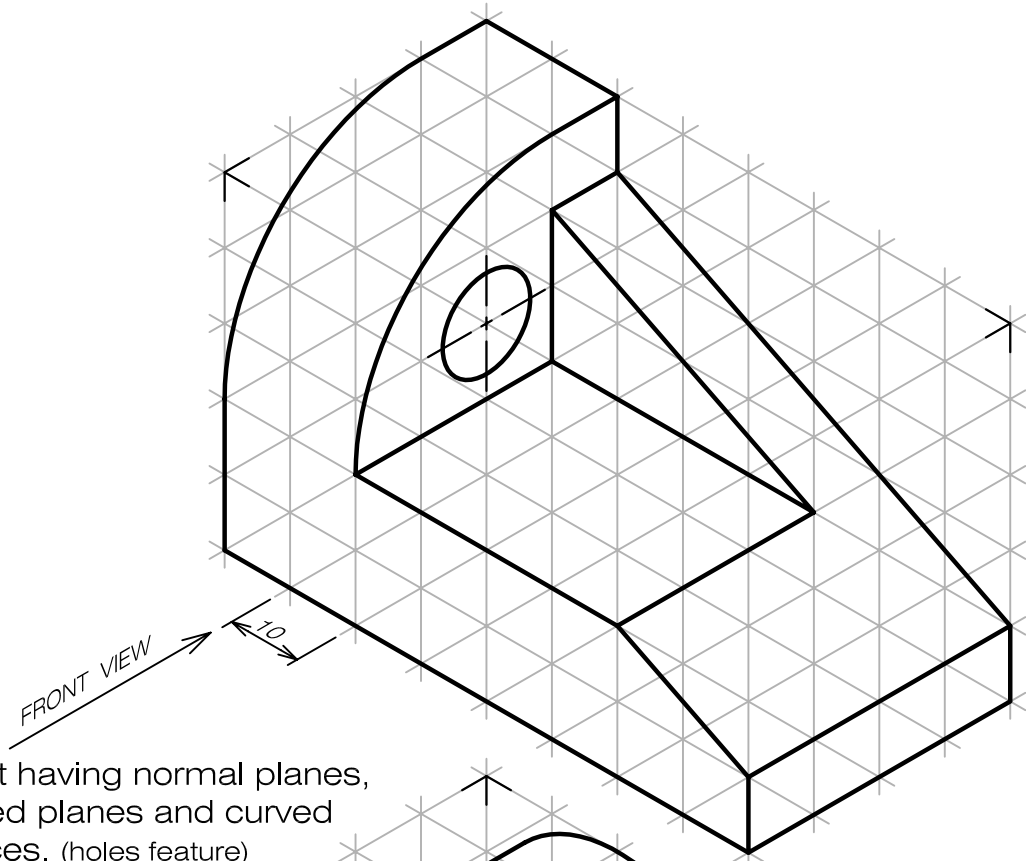


Neatly sketch the front, top and right-side views of the following pictorial figures.

(Problem is taken from "Technical drawing" by Goetsch et al.)

- (a) Object having normal planes, inclined planes and curved surfaces. (holes feature)



- (b) Object having normal planes, inclined planes and curved surfaces. (holes feature)

